



# MERCURY STAR RUNNER





## YOUR DELIVERY SOLUTION

Catering to governments and the private sector alike, Crusader Industries' star runner chassis raises the bar on speed and efficiency while remaining a stalwart of reliability.

The Mercury ticks all the boxes expected of a dependable courier vessel, and then some. Whatever you're transporting, there's nothing safer or more secure than the Mercury.

Like everything we produce, the Mercury is built with the same engineering and design principals that have made Crusader the go-to manufacturer for galactic transport on every scale.





## ROUGH/RUGGED/RELIABLE

No matter your payload, we understand that delivering it intact is key to success. We also appreciate that not every run goes to plan. It's a wild universe out there, but with the Mercury, you can rest easy knowing that your cargo is well guarded.

With a full complement of cutting-edge offensive and defensive countermeasures, the Mercury keeps you and your customer's livelihoods safe.

In recent years, Mercuries have served on the fleets of militia and even successfully competed in semi-professional racing. Despite this versatility, the ship is still synonymous with timely delivery by independent contractors and civilian entrepreneurs.

Stay ahead of schedule, trouble, and your competition.



## PRECISION/VISIBILITY

*'The Mercury is one of the most agile data runners on the market, consistently scoring within the top five fastest combined-use transport ships available today.'*

■ **Whitley's Guide:**  
Speed Demons Annual (2946)

Unlike some of our competitors, Crusader Industries understands the importance of unimpeded visibility when piloting a high-performance spacecraft. So, the Mercury Star Runner is the first ship to feature the innovative CrystalView cockpit that permits a wider and deeper field of view to help you keep track of the ship's extremities.

Designed in-house with pure clarity in mind, it makes precision piloting possible in any condition. Whether you're threading through a tight asteroid field or fighting off a fleet of pirates, there's nothing to impede your view of hazards ahead.



■ Unique CrystalView cockpit offers maximum visibility.



## LAND/LOAD/LEAVE

Land, load, and lift off in no time. The extra-wide Speed Ramp makes loading cargo a breeze and, thanks to Crusader's award-winning VTOL tech, takeoffs and landings are effortless.

Wherever you find yourself, the Mercury excels at docking and launching in unconventional and even volatile circumstances.





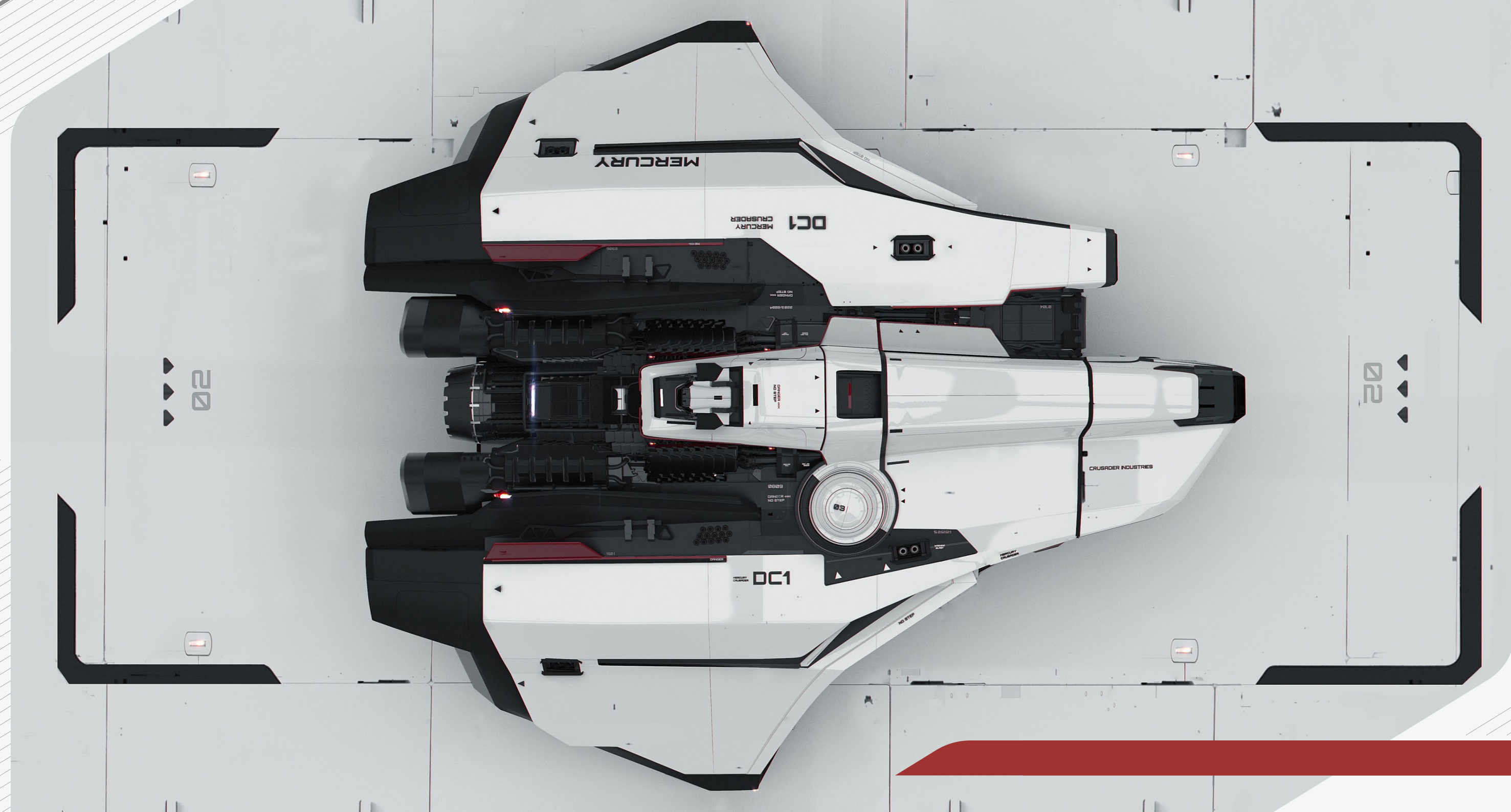
State-of-the-art data storage and industry-standard encryption protocol keep vital data safe.

## SENSITIVE CONSIGNMENT

When you're running data, security is paramount - the Mercury didn't become the preeminent star runner on the market by taking it lightly.

Built-in encryption protocol, a programmable kill switch, and customizable security configurations ensure private information never falls into the wrong hands. The whole data system was tailormade for privacy and security.





## BORN TO RUN

The Mercury's proclivity for acceleration, high-G maneuverability, and top-speed cruising are evident in the ship's unorthodox asymmetrical design. The center of mass and thruster positions deliver what Crusader feels to be the perfect handling balance, whether the hold is laden or empty.

In fact, the Mercury is still the only ship to successfully complete the Able Baker Challenge in back-to-back years.

The result of development over many years, some might think the Mercury's silhouette strange, but chances are they didn't look fast enough to see it.



## TEAM PLAYER

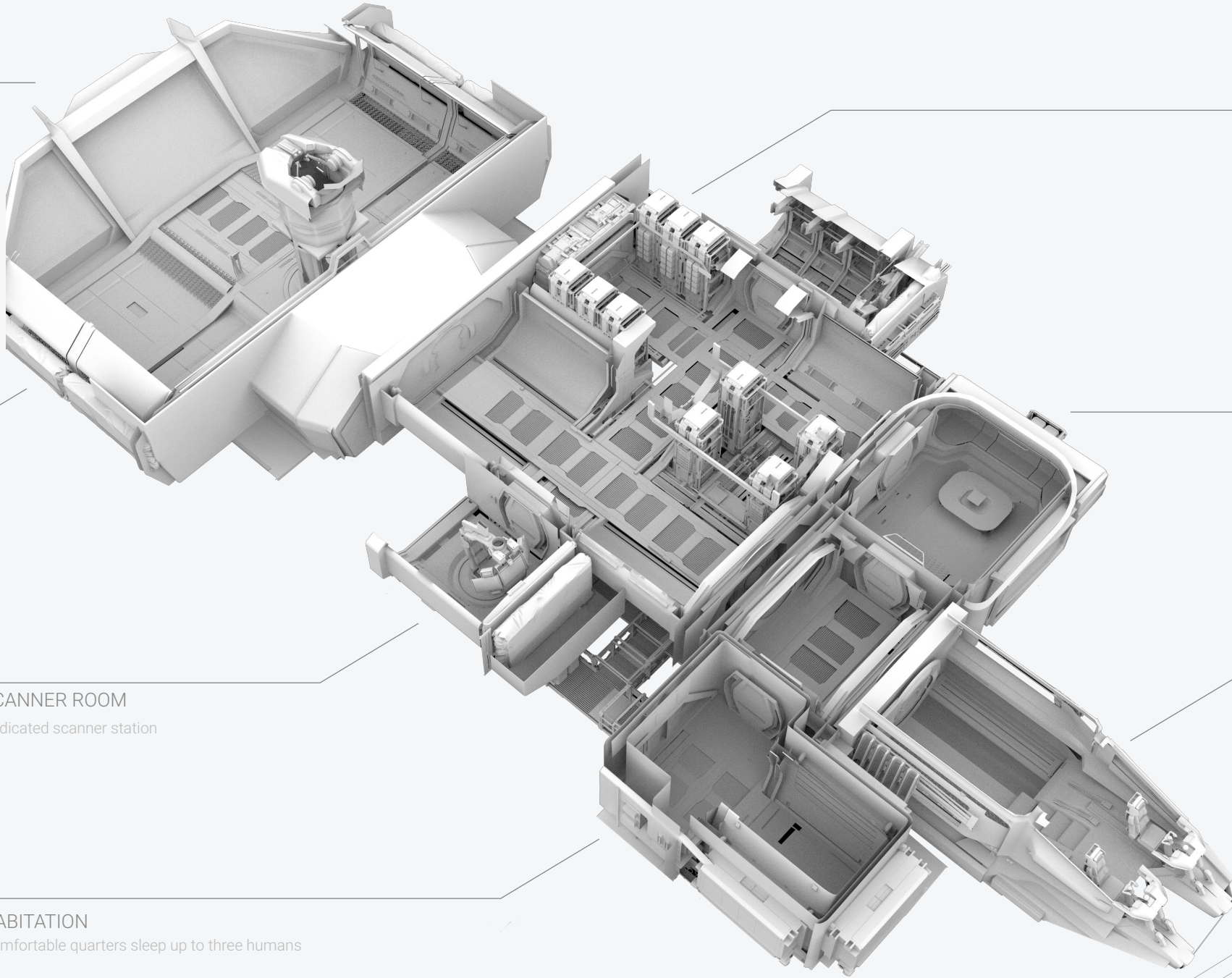
The Mercury has supported countless military, private security, and humanitarian aid missions, carrying sensitive data and vital cargo to and from dangerous locations.

The very features that make it the perfect courier also make it an exemplary support craft.



The Mercury has accompanied its larger cousin, the Hercules, on numerous starlift operations.





▶ SPEED RAMP

Load cargo of all shapes and sizes in a flash

▶ CARGO HOLD

A generous capacity of 96 SCU

▶ SCANNER ROOM

Dedicated scanner station

▶ HABITATION

Comfortable quarters sleep up to three humans

DATA STORAGE ▶

Industry leading data storage and security system

RECREATION ROOM ▶

Unwind on long trips with a fully-loaded bonus room

COCKPIT ▶

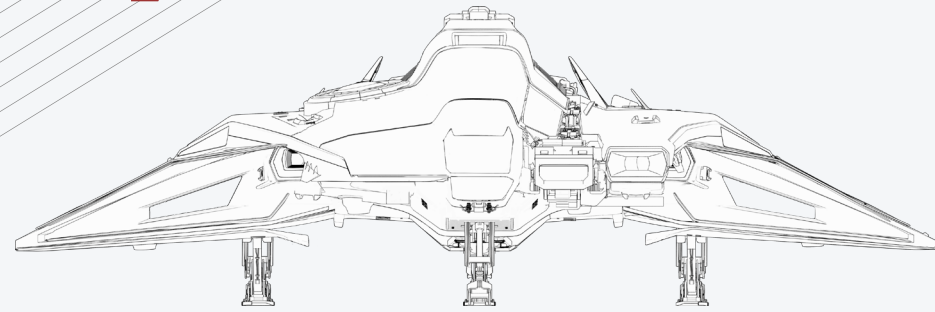
Unique open cockpit design offers maximum visibility for both pilot and copilot

## INTERIOR/SPECIFICATION

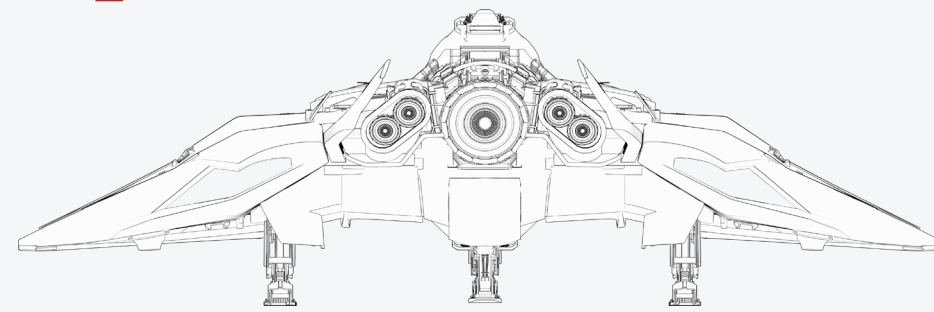
Designed with the longest hauls in mind, the Mercury's interior is a pilot's favorite thanks to the right balance of comfort, efficiency, and functionality.



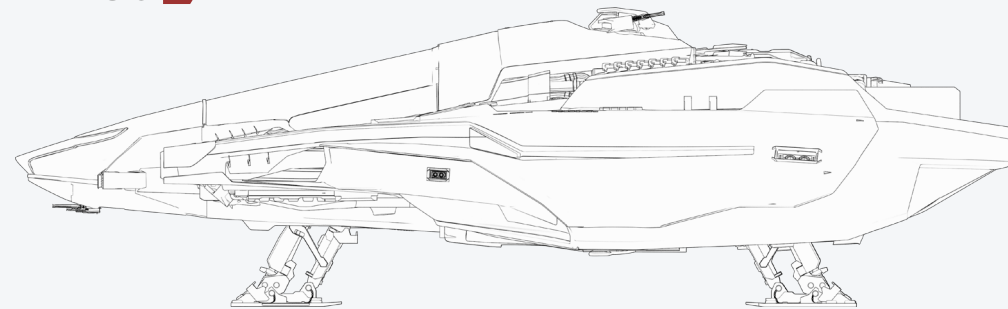
Bow



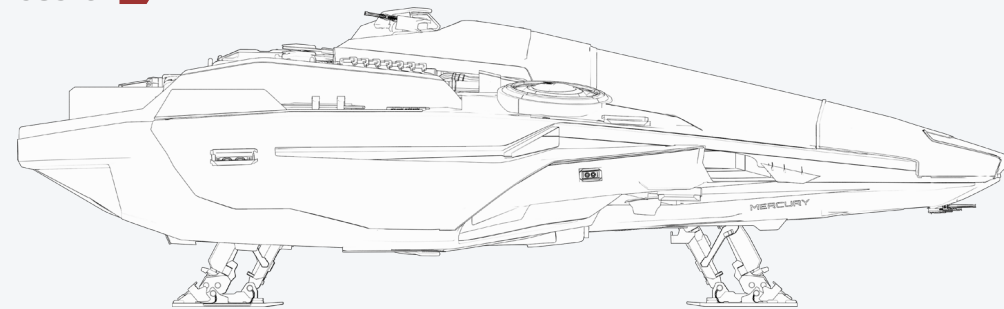
Stern



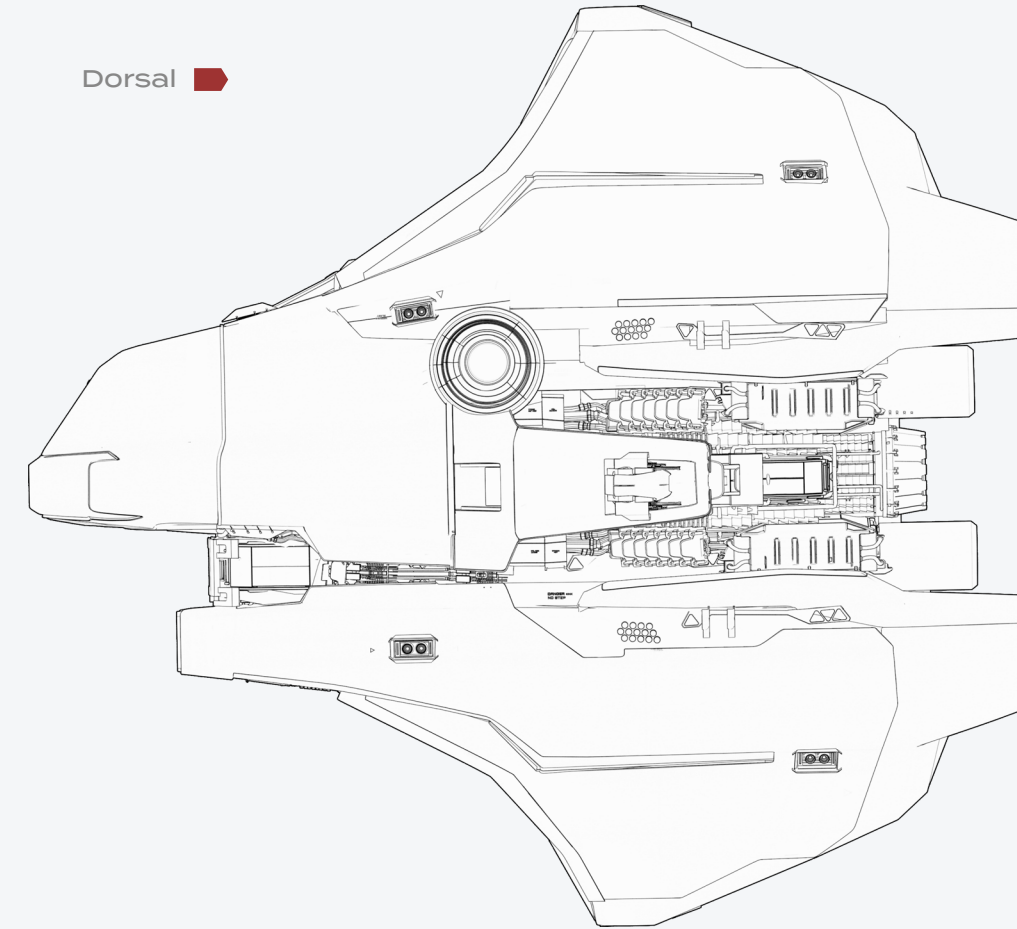
Port



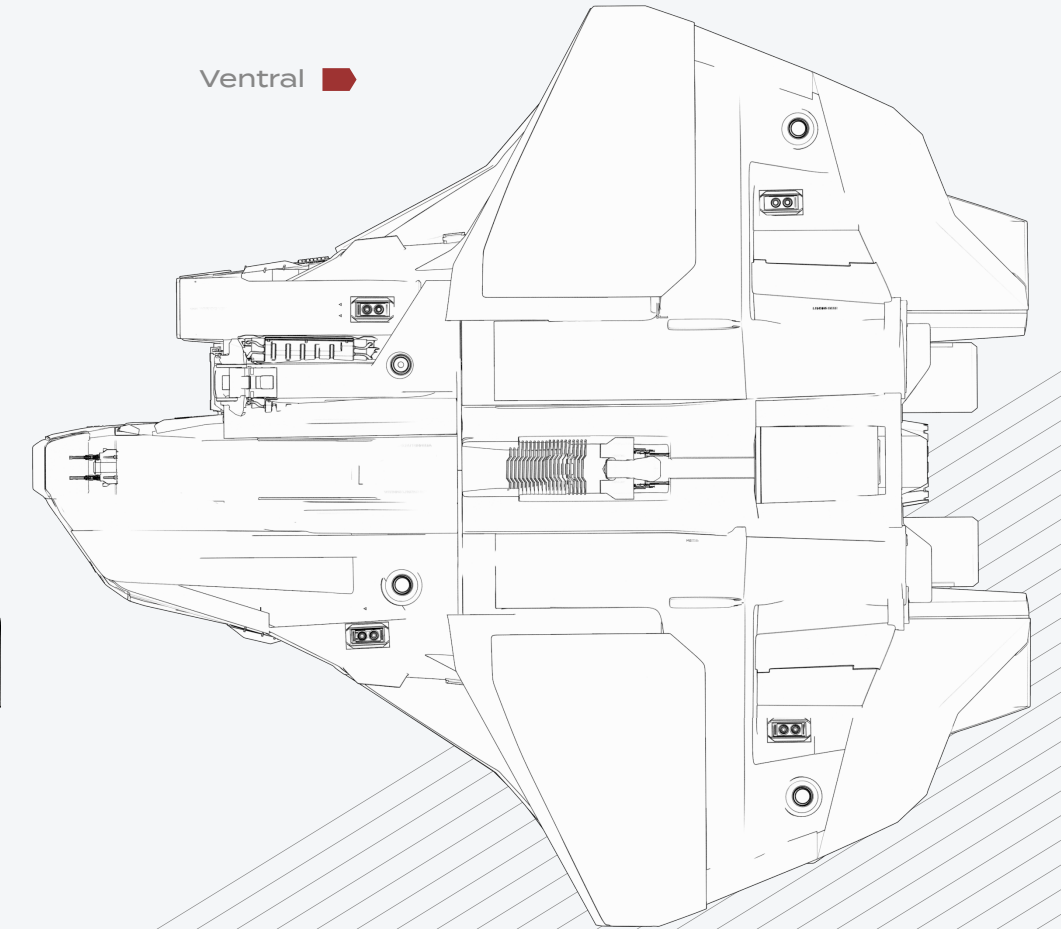
Starboard



Dorsal



Ventral



## SPECIFICATIONS

LENGTH	40m
WIDTH	38m
HEIGHT	11.6m
SPEED	215m/s
MAX CREW	3
ARMOR	Light
CARGO CAPACITY	96 SCU

JUMP DRIVE	Medium
QUANTUM DRIVE	Medium
THRUSTERS	3x Main Thruster 4x Retro Thruster 4x VTOL Thruster 4x Fixed Maneuvering Thruster 8x Joint Maneuvering Thruster

COUNTERMEASURES	1x S1 JOKR Flares 1x S1 JOKR Chaff
MISSILES	2x S2 Missile Pylons •2x S1 Missiles per pylon
WEAPONS	2x S3 Hardpoint •1x Gimballed S2 Laser Repeaters
TURRETS	2x Manned Turret •2x S2 Laser Repeaters





The models featured in this publication are approved for use in the UEE. Some items of equipment are available as extra-cost options only. Specifications correct at date of publish. For information on standard and optional equipment, please consult your local Dealer.  
Specifications, features and appearance are subject to revision during development.

© 2018 Cloud Imperium Rights LLC and Cloud Imperium Rights Ltd.  
Star Citizen® and Roberts Space Industries® are registered trademarks of Cloud Imperium Rights LLC